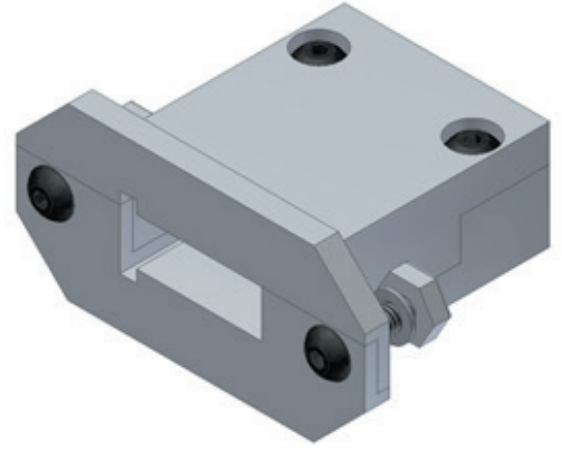
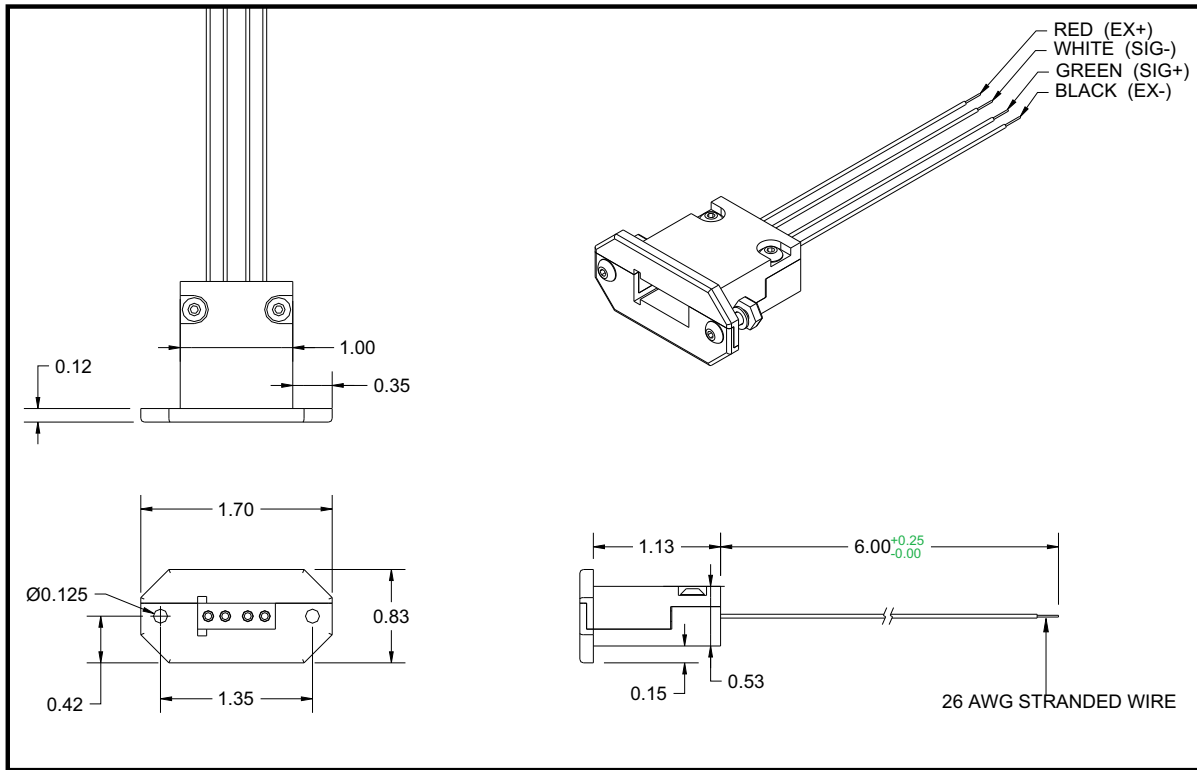


BULK-HEAD CONNECTOR for panel mount connection of PendoTECH Pressure & Conductivity Sensors

Part Number: PDKT-650-298BH



NOTE ON TOLERANCES:
UNLESS OTHERWISE SPECIFIED
TWO PLACES ± 0.02
THREE PLACES ± 0.01



CONNECTIONS		
Wire Color	Pressure Sensor	Conductivity Sensor
Red	Ex. +	Temp. +
White	SIG. -	COND. High
Green	SIG. +	COND. Low
Black	Ex. -	Temp. -